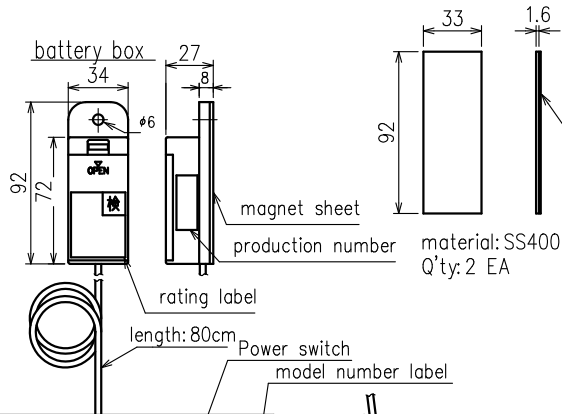


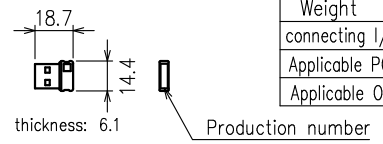
Product	Keyboard (Wireless)
Model	GIKEY270
Explosion-proof structure	i2G3
Certification No.	T68493
Battery	Two AA alkaline batteries (Panasonic:LR6)
Approx. battery life	Approx. 2 year
Radio system	2.4GHz radio wave system
Ambient temperature	0℃~40℃
material/color	ABS plastic / Black
Weight	Main body approx.470g Battery box approx.130g
Keyboard layout	108 Japanese layout
Applicable PC	DOS/V PC
Applicable OS	Windows 10, 8, 7, Vista, XP
Accessories	Shower cap shaped cover

### Keyboard

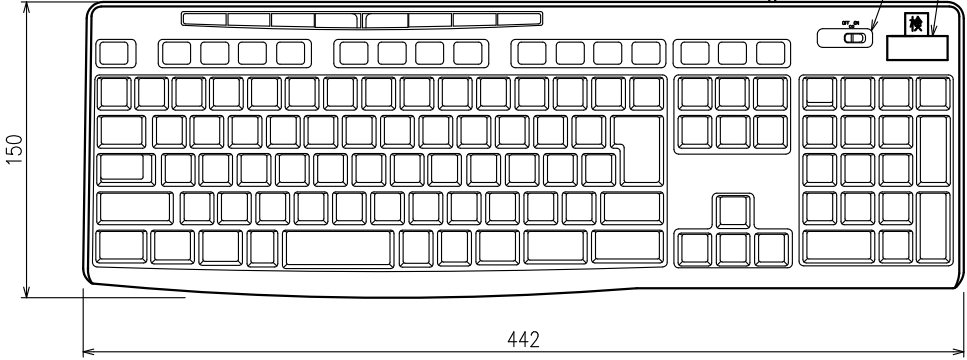
### Stick-on plate for battery box



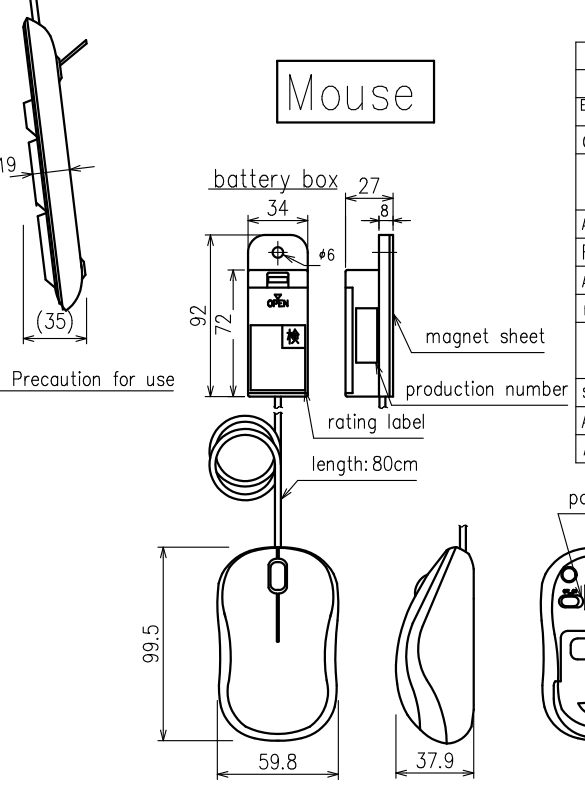
### USB Receiver



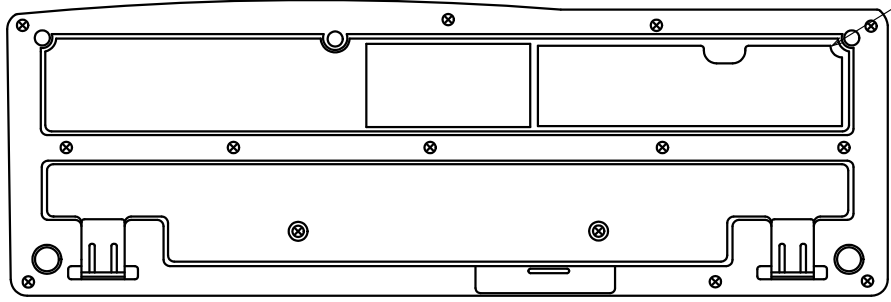
Product	USB Receiver
Radio system	2.4GHz radio wave system
Ambient temperature	0℃~40℃
material/color	ABS plastic / Black
Weight	Approx. 5g
connecting I/F	USB
Applicable PC	DOS/V PC
Applicable OS	Windows 10, 8, 7, Vista, XP



### Mouse



Product	Mouse (Wireless)
Model	GIMA270
Explosion-proof structure	i2G3
Certification No.	T68493
Battery	Two AA alkaline batteries (Panasonic:LR6)
Approx. battery life	Approx. 1 year
Radio system	2.4GHz radio wave system
Ambient temperature	0℃~40℃
material/color	ABS plastic / Black
Weight	Main body approx.52g Battery box approx.130g
sensor type	Optical
Applicable PC	DOS/V PC
Applicable OS	Windows 10, 8, 7, Vista, XP



③	2017.02.25	Muto	Muto	Typo correction
②	2015.12.14	Nishimura	Muto	Windows10 added to the Applicable OS
①	2015.10.01	Nishimura	Muto	Side view Add(zone:F2)
REV. 改訂	DATE 日付	DWN. 氏名	APP. 承認	DESCRIPTION 内容

APPROVED 承認	DESIGNED 設計
Muto	Nishimura
2015.04.06	2015.04.06



TITLE 名称	Intrinsically Safe Explosion-proof Keyboard/Mouse Set
GIMK270	Outline drawing

DWG.No. 図番	G,321146E
REV.	3

SCALE 尺度	:
----------	---